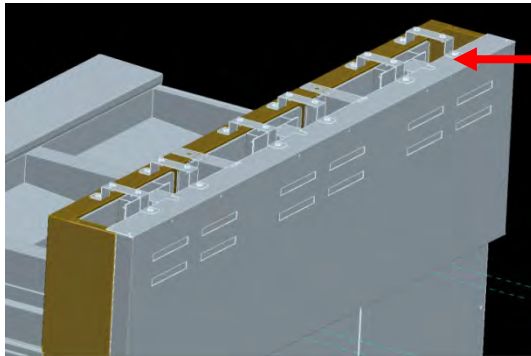


Instruction Sheet

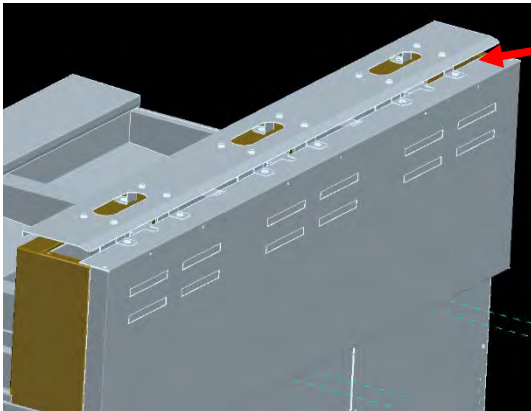
Subject: McDonald's BIGLA30-T Fryer Flue Deflector Installation Instructions

Models affected: McDonald's BIGLA30-T Fryers

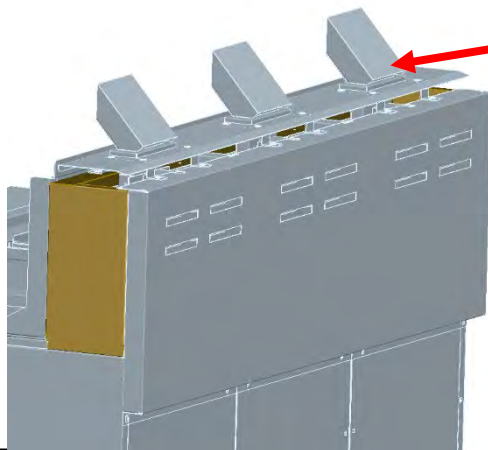
Follow these instructions to attach the flue deflectors to the McDonald's BIGLA30-T fryers.



STEP 1: INSTALL RISERS (2601156) TO FLUE USING CABINET SCREWS (8090412). TWO PER FRYPOT.



STEP 2: INSTALL COVER PLATE (2601155) TO RISERS USING CABINET SCREWS (8090434). ENSURE THE ANGLED SLOPE IS TOWARDS THE REAR OF THE FRYER. THE 90° BEND SHOULD BE FACING THE FRONT OF THE FRYER.



STEP 3: INSTALL THE FLUE DEFLECTORS (8239025) AS SHOWN.